

DH-IPC-HFW5200/5202C

2Megapixel Full HD Network Water-proof IR-Bullet Camera



Features

- 1/2.8" 2Megapixel progressive scan Exmor CMOS
- H.264 & MJPEG dual-stream encoding
- 25/30fps@1080P(1920×1080)
- DWDR, Day/Night(ICR),Auto iris,3DNR,AWB,AGC,BLC
- Multiple network monitoring: Web viewer, CMS(DSS/PSS) & DMSS
- 3.3~12mm varifocal lens (5200C)
- 3~9mm varifocal motorized lens (5202C)
- Max. IR LEDs Length 30m
- IP66, PoE

DH-IPC-HFW5200/5202C

Technical Specifications

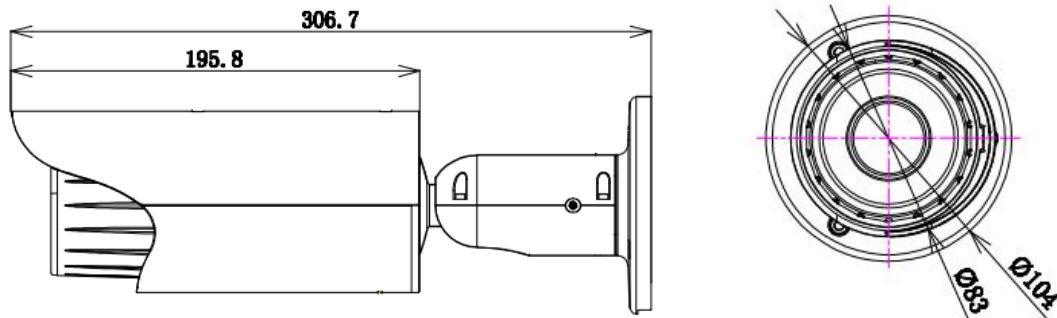
Model	DH-IPC-HFW5200C		DH-IPC-HFW5202C	
Camera				
Image Sensor	1/2.8" 2Megapixel progressive scan Exmor CMOS			
Effective Pixels	1920(H)x1080(V)			
Scanning System	Progressive			
Electronic Shutter Speed	Auto/Manual, 1/3(4)~1/10000s			
Min. Illumination	0. 1Lux/F1.2 (Color), 0.01Lux/F1.2(B/W);0Lux/F1.2(IR on)			
S/N Ratio	More than 50dB			
Video Output	1 channel BNC (1.0Vp-p, 75Ω)			
Camera Features				
Max. IR LEDs Length	30m			
Day/Night	Auto(ICR)/Color/B/W			
Backlight Compensation	BLC / HLC / DWDR			
White Balance	Auto/Manual			
Gain Control	Auto/Manual			
Noise Reduction	3D			
Privacy Masking	Up to 4 areas			
Lens				
Focal Length	3.3 ~12mm		3~9mm motorized	
Max Aperture	F1.4		F1.2	
Focus Control	Manual		Auto	
Angle of View	H: 87.5° ~31.1°		H: 103.9°~34.1°	
Lens Type	Manual/Auto Iris(DC)		Motorized/Auto Iris(DC)	
Mount Type	Board-in Type			
Video				
Compression	H.264/MJPEG			
Resolution	1080P(1920×1080)/720P(1280×720)/D1(704×576/704×480)/CIF(352×288/352×240)			
Frame Rate	Main Stream	1080P/720P(1 ~ 25/30fps)		
	Sub Stream	D1/CIF(1 ~ 25/30fps)		
Bit Rate	H.264: 32K ~ 8192Kbps			
Audio				
Compression	G.711a/ G.711u/ PCM			
Interface	1/1 channel In/Out			
Network				
Ethernet	RJ-45 (10/100Base-T)			
Wi-Fi	N/A			
Protocol	IPv4/IPv6, HTTP, HTTPS, SSL, TCP/IP, UDP, UPnP, ICMP, IGMP, SNMP, RTSP, RTP, SMTP, NTP, DHCP, DNS, PPPOE, DDNS, FTP, IP Filter, QoS, Bonjour,			
ONVIF	ONVIF Profile S			
Max. User Access	20 users			

DH-IPC-HFW5200/5202C

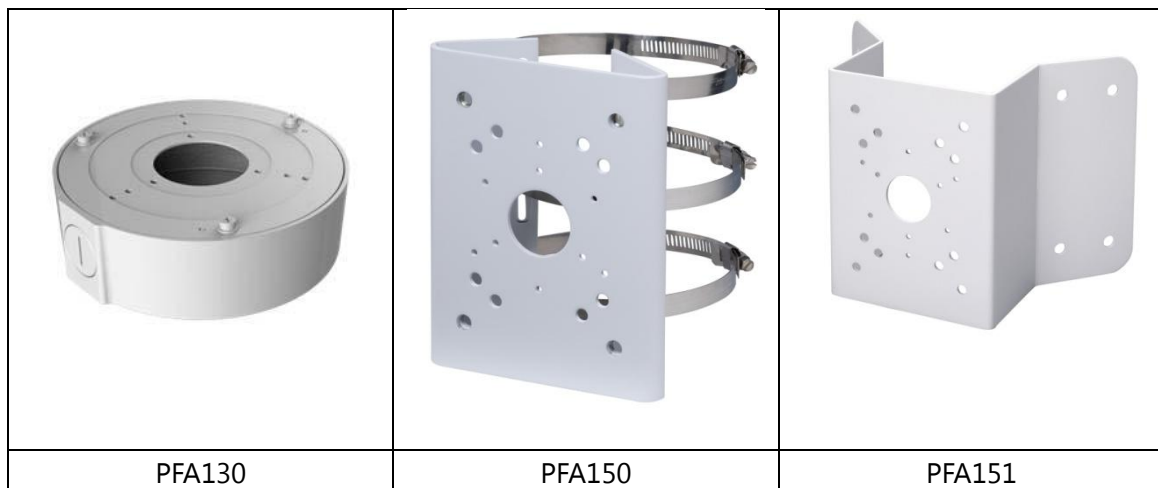
Smart Phone	iPhone, iPad, Android, Windows Phone
Auxiliary Interface	
Memory Slot	Micro SD, Max 64GB
RS485	N/A
Alarm	2/1 channel In/Out
PIR Sensor Range	N/A
General	
Power Supply	DC12V (AC 24V optional), PoE (802.3af)
Power Consumption	Max 6.5W(motorized lens:+2W)
Working Environment	-20°C~+60°C (-H: -40°C~+60°C) , Less than 95% RH
Ingress Protection	IP66
Vandal Resistance	N/A
Dimensions	φ104mm×306.7mm
Weight	1.25kg

DH-IPC-HFW5200/5202C

Dimensions (mm)



Accessory (optional)



Dahua Technology Co., Ltd.

1187BinAn Road, Binjiang District, Hangzhou, China

Tel: +86-571-87688883

Fax: +86-571-87688815

Email:overseas@dahuatech.com

www.dahuatech.com

*Design and specifications are subject to change without notice.

© 2013 Dahua Technology Co., Ltd.